

# 新一代HITECH PWS

Beijer  
ELECTRONICS  
北爾電子

## X2 base ADP 粉墨登場!



### 更經濟實惠的解決方案

X2 base ADP為人機介面的先驅HITECH PWS最新一代，相容於ADP的硬體新選擇。延續易於上手的操作模式並搭配ARM9硬體規格；16:9的畫面比例，給您全新的視覺享受。承襲優良基因，完善整體性能，是您工業控制設備的最佳幫手。

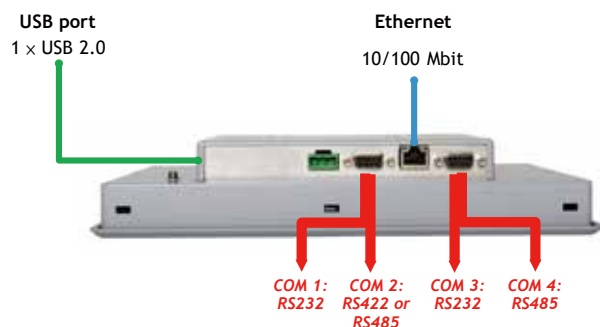


### 薄膜面板

X2 base ADP也是X2系列中所衍生的其中一款，其前面的薄膜面板相同。

### 硬體資訊

#### Cut-out information



PWS與X2 base ADP之機構尺寸對照表

X2 base ADP (Part number)	PWS (Part number)	Cut-out Dimensions(mm)
X2 base 5 - F2 ADP (630022105)	PWS6300S-S (300-53101)	160.8x93.3mm
	PWS6500S-S (300-55101)	
	PWS6560S-S (300-55802)	
X2 base 7 - F2 ADP (630022205)	PWS5610S-S (300-52101)	185.8x135.8mm
	PWS6600S-S (300-56101)	
	PWS6600S-P (300-56201)	
	PWS6600T-S (300-56501)	
	PWS6600T-P (300-56601)	
	PWS6620T-P (300-56602)	
	PWS6620T-N (300-56701)	
	PWS6710T-P (300-57601)	
PWS6710T-N (300-57701)		

# PWS & X2 base ADP 硬體規格概觀



機構尺寸百分百相容



## PWS6620T/6600T, 6600S

- ▶ 5.7" 320x240 LCD with 400 cd/m<sup>2</sup>, STN LCD with 160 cd/m<sup>2</sup>
- ▶ ARM9 32 bit RISC/ARM7 32 bit RISC
- ▶ CF card expansion
- ▶ 1 USB Device/ 1 USB Host
- ▶ 2 Series with combination ports
- ▶ One Ethernet (PWS6620T-N)
- ▶ IP65/IP20
- ▶ CE, FCC
- ▶ OP Temp: 0-50 C
- ▶ Cut-out: 185.8 x 135.8 mm

## X2 base 7 ADP

- ▶ 7" 800x480 LCD with 400 cd/m<sup>2</sup>
- ▶ ARM9 400 MHz CPU
- ▶ 1 USB 2.0 500mA
- ▶ 2 Series with combination ports
- ▶ 1 Ethernet
- ▶ IP65/IP20
- ▶ CE/FCC/KCC/UL
- ▶ OP Temp: -10-50 C
- ▶ Cut-out: 186 x 136 mm



## PWS6710T

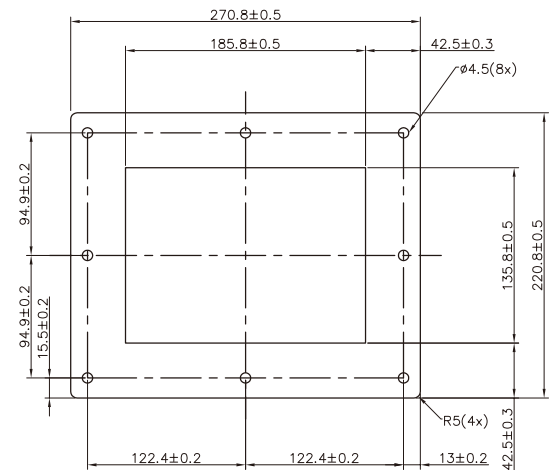
- ▶ 7" 800x480 LCD with 400 cd/m<sup>2</sup>
- ▶ ARM9 32 bit RISC
- ▶ CF card expansion
- ▶ 1 USB Device/ 2 USB Host
- ▶ 3 Series with combination ports
- ▶ One Ethernet (PWS6710T-N)
- ▶ IP65/IP20
- ▶ CE, FCC
- ▶ OP Temp: 0-50 C
- ▶ Cut-out: 220.8 x 165.8mm



## X2 base 7 ADP

- ▶ 7" 800x480 LCD with 400 cd/m<sup>2</sup>
- ▶ ARM9 400 MHz CPU
- ▶ 1 USB 2.0 500mA
- ▶ 2 Series with combination ports
- ▶ 1 Ethernet
- ▶ IP65/IP20
- ▶ CE/FCC/KCC/UL
- ▶ OP Temp: -10-50 C
- ▶ Cut-out: 186 x 136 mm

## PWS6710T 可相容之開孔框架



## PWS5A00T/6A00T

- ▶ 6A00T -10.4" 640x480 LCD with 450cd/m<sup>2</sup>
- ▶ 5A00T-10.1" 800x480 LCD with 300cd/m<sup>2</sup>
- ▶ ARM9 32 bit RISC
- ▶ CF card expansion
- ▶ 1 USB Device/ 2 USB Host
- ▶ 3 Series with combination ports
- ▶ One Ethernet (PWS6A00T-N/PWS5A00T-N)
- ▶ IP65/IP20
- ▶ CE/ FCC
- ▶ OP Temp: 0-50 C
- ▶ Cut-out: 286 x 211mm



## X2 base 10 ADP

- ▶ 10.1" 800x480 LCD with 350 cd/m<sup>2</sup>
- ▶ ARM9 400 MHz CPU
- ▶ 1 USB 2.0 500mA
- ▶ 2 Series with combination ports
- ▶ 1 Ethernet
- ▶ IP65/IP20
- ▶ CE/FCC/KCC/UL
- ▶ OP Temp: -10-50 C
- ▶ Cut-out: 257 x 177 mm

## PWS5A00T/6A00T 可相容之開孔框架

